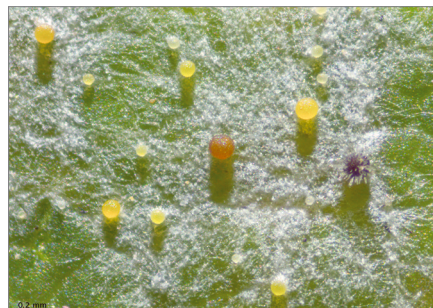


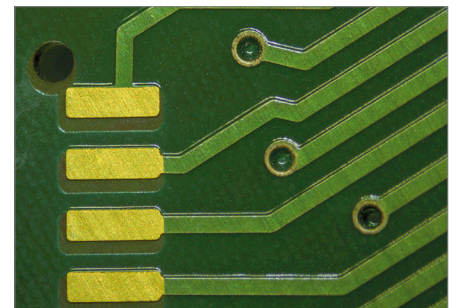


ZEISS Stemi 508

Your Quality Stereo Microscope for Biological and Industrial Routine



Powdery mildew on Norway maple, cleistothecia, Spot K LED, oblique reflected light, zoom 2.0x



Printed circuit board, quarter ring segment, north, zoom 1.25x

ZEISS Stemi 508 is your quality stereo microscope with mechanics and optics designed for the heavy workloads of everyday lab work and industrial inspections.

With apochromatic optics, Stemi 508 displays your samples exactly as they are: rich in detail, sharp in focus and free from distortion or color fringes. The large 8:1 zoom lets you get an overview within a 35 mm object field, then bring the detail up to 50x magnification with impressive stereoscopic image contrast. Interchangeable optics for observing specimens up to 120 mm in size, makes Stemi 508 a top performer in its class.

With its lower viewing angle of 35° Stemi 508 offers better ergonomics than any other Greenough-type stereo microscope. Maintain a relaxed working posture even after hours of work.

Highlights

- Large zoom range 8:1
- Apochromatic corrected zoom system and interchangeable front optics
- Ten precise detachable zoom click-stops
- Compact stands for limited workspace
- Integrated LED illumination for reflected, transmitted and mixed light
- Fiber optic cold light source with various light guides and accessories for high brightness and special contrasts.
- Combine boom or tilt-arm stands with low mag front optics to observe large samples
- Use Stemi 508 doc for documentation – phototube with 100/0 split to the right, 0,5x camera adapter with 60N interface included. Choose from all ZEISS Axiocam cameras, SLR and video cameras
- Get direct access to HDMI monitors, work with ZEN imaging software on PC – or snap and share results with ZEISS iPad App Labscope

Created for Your Applications

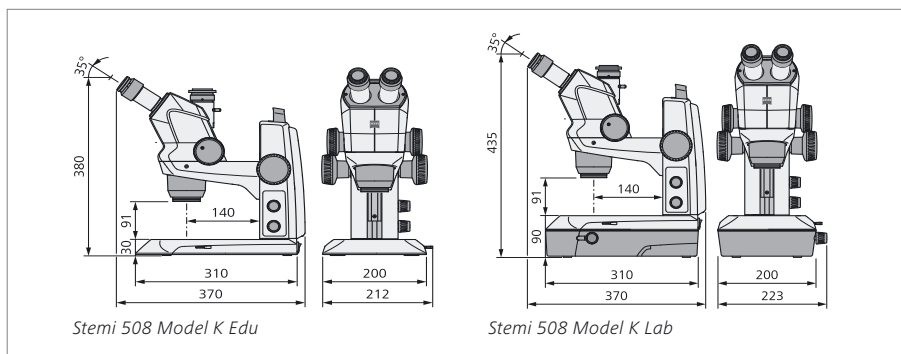
- Study and dissect model organisms, such as zebrafish, in oblique transmitted light in your embryology lab.
- Isolate egg cells before fertilization at 120x magnification in your IVF Lab
- Observe, document and identify insects – for example to map biotopes.
- Inspect PCBs in true color using cold light source and shadowfree ringlight
- Rotate a quarter ring LED segment to quickly inspect your workpiece for scratches or defects
- Grade diamonds with impressive image contrast and no color fringes
- Assess the surface quality of paper or engravings under grazing light with line light S
- Examine large workpieces, such as motor parts, using ball bearing stand SDA





ZEISS Stemi 508

Your Quality Stereo Microscope for Biological and Industrial Routine



Special Features:

- All Stemi 508 optical components are anti-fungus treated.
- Comes complete with changeable dust protection glass in front of zoom optics.

Choose the Best Illumination:

Reflected Light

- Double arm gooseneck – enhanced contrast of 3D shaped objects through distinct shadow effects.
- Ringlights – shadow-free illumination with less stereo effect, e.g. inspect printed circuit boards.
- Ringlights and polarization – stunning color contrast by reducing glare.
- Line light – grazing light for flat structured surfaces.
- Vertical light – illuminating sample crevices.
- Diffusor – giving soft light to observe glare or shining objects.
- Area light – combining soft light and shadow effect.

Transmitted Light

- Bright-field – Look at colored objects
- Dark-field – See object structures bright against a dark background
- Oblique – Observe uncolored transparent objects in relief contrast
- Polarization – study birefringent objects, detect stress in glass or plastics

Technical Data	
Operation concept	Stereo microscope, Greenough design
Zoom bodies	Stemi 508 binocular (incl. eyepieces 10×/23 Br. foc) Stemi 508 doc trinocular, phototube 0/100 to the right (incl. eyepieces 10×/23 Br. foc, 60N camera adapter 0,5×)
Magnification range	6.3× to 50× with basic version (10× eyepieces, no front optics) all magnifications from 2× to 250× (when using interchangeable optics)
Maximum resolution	210 Lp/mm basic version; up to 420 Lp/mm with interchangeable optics
Working distance	92 mm basic version; up to 287 mm using interchangeable optics
Maximum object field	35 mm basic version; up to 121 mm using interchangeable optics
Interface to Stemi mount	76 mm (international)
Interchangeable eyepieces	PL10×/23 Br. foc (always included), PL16×/16 Br.foc, W25×/10 foc
Stemi carriers for column 32 mm	Stemi mount with drive, stemi mount tiltable 0-90°
Bench top stands (* = footprint as Model K)	Model K, 200 × 310 mm, column 250 mm with drive, travel 145 mm, Model K Mat' + reflected light LED electronics, ESD feature: antistatic Model K Edu' + reflected light LED electronics, flat TL base (bright-field/dark-field) Model K Lab' + reflected light LED electronics, mirror TL base (bright/dark/oblique) Model N, 440 × 360 mm, column diam. 32 mm/height 350 mm
Boom stands	Model A, double arm model SDA, tilting arm model U
Stages	Sliding stage circular, ball-and-socket stage, rotating pol stage
LED Illuminators K	Spot K LED, double spot K (selfcarrying), segmentable ringlight K
Direct LED illuminators	VisiLED ringlights, segmentable; double arm LED spot for column 32
Cold light sources	CL4500 LED (CRI 90), CL1500 Hal (150W halogen), CL6000 LED
Fiber optic light guides	Flexible spots (adapted by articulating arms), double arm gooseneck, ringlights for bright or dark-field, line light, vertical light, diffusor, area light
Transmitted light illuminators	Transmitted light mirror units for stand K or N (BF, DF, Oblique)
Polarization	Polarization filters for ringlights, spots and transmitted light units



microscopy@zeiss.com
www.zeiss.com/stemi508

